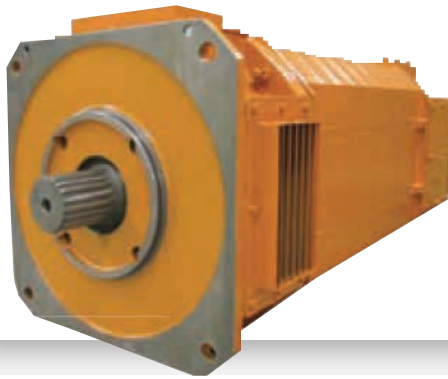




800 HP Form Wound AC Drilling Motor – HAW13BC080



High Power Density Technology

Up To 800 HP in a Standard 600 HP Frame

Drill deeper, faster and more efficiently with High Power Density motors from Houma Armature Works. Utilizing proprietary intra-slot cooling technologies, the HAW13BC080 delivers up to 33% more horsepower and torque than similar motors, and will withstand rigorous high shock and vibration conditions for decades of continuous service in harsh environments.

Standard Features

- 4-pole stator with form wound windings
- Certified Class H insulation
- Copper rotor bars
- 2-cycle global VPI
- Constructed with nodular cast iron
- Designed for Variable Frequency Drive (VFD) operation

- Heaters — 1 each end
- IP 23 motor enclosure
- Shaft seals and oil slingers on the drive and non-drive sides
- Six (6) 100Ω platinum RTDs; 2/phase embedded in stator
- ISO 9001:2015-certified

Optional Features

- Encoder
- Bearing RTD
- Blower assembly
- Air pressure switch
- IP 56 junction box
- ABS certification



ISO 9001:2015-certified



ATEX-approved

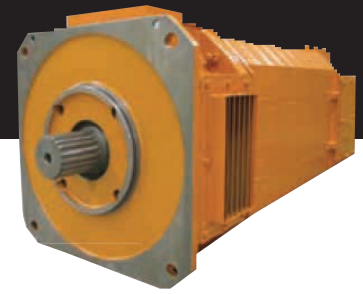


CSA-approved

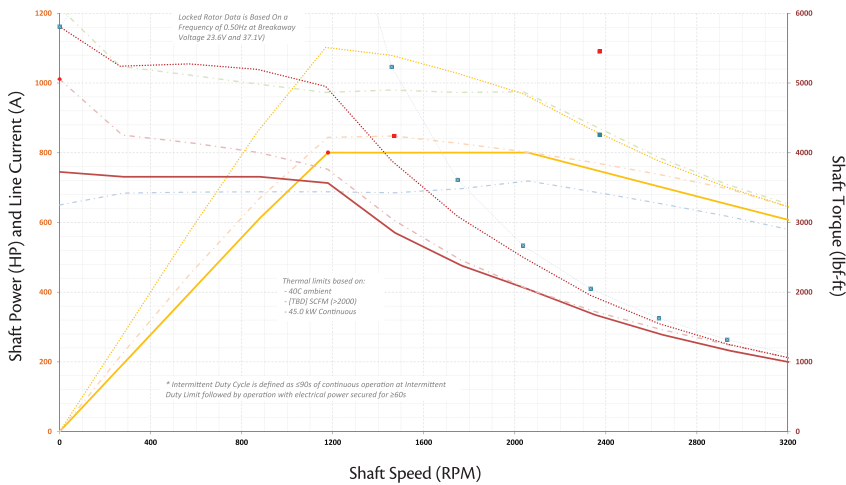


Made in the USA

800 HP AC Drilling Motor



Speed - Torque Performance That Leads the Industry



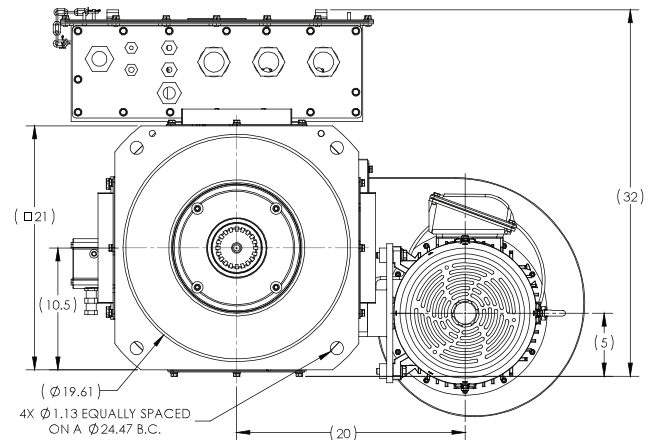
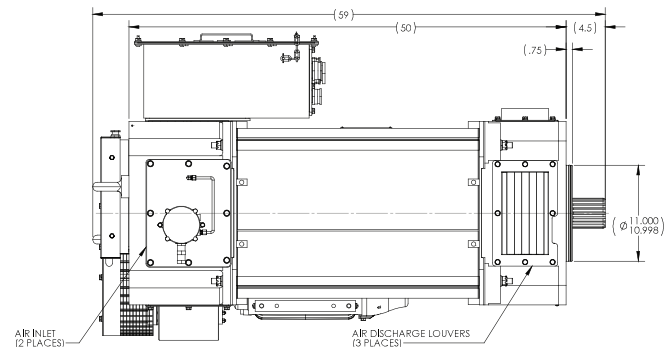
- Base Operating Point 800 HP @ 1179.4 RPM; 40 Hz
- Continuous Duty Line Current (Arms)
- * Int. Duty Line Current (Arms)
- Specified Power (HP)
- × Max. Cont. Power 848 HP @ 1471.3 RPM
- Thermal Shaft Power Limit (HP)
- * Int. Duty Thermal Shaft Power Limit (HP)
- Specified Torque (lbf - ft)
- ◆ Max. Cont. Torque 5055 ft-lbf @ 0 RPM
- Thermal Torque Limit (lbf - ft)
- * Int. Duty Specified Torque (lbf - ft)
- BD Torque (lbf - ft)

Critical Data

Model number	HAW13BC080
Voltage (AC)	592
Current (Amps)	686
Rated Speed	1181 RPM
Torque (lbf-ft)	3560 at rated speed
HP	800 at rated speed
Max. permissible speed	2400 RPM
Base motor weight	3900 lb. Est.
Recommended blower CFM	3100
Standard bearing grease	UNIREXP2

* Others available upon request.

Dimensions



Houma Armature Works is a global provider of highly engineered motors, controls and integrated solutions that power Oil & Gas exploration. We provide benchmark performance, productivity, durability and customer support primarily for Top Drives, Mud Pumps, Draw Works, Rotary Tables, Engine Control and Control Houses. Learn more at www.houmaarmature.com.

2534 Cummins Road, Houma, LA 70363 | 800.673.0531
 8100 McHard Road, Houston, TX 77053 | 713.748.0702